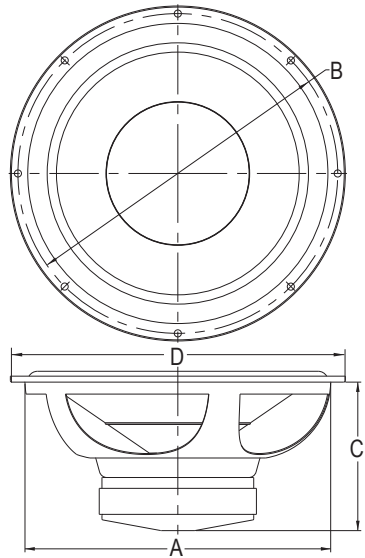


## FEATURES

- Textured Co-Polymer cone** - High rigidity for accurate, linear control
- Extended Air Gap** - Increases magnetic linearity beyond rated X-max.
- Hi-Temp Kapton™ Former** - High temperature resistance resists fatigue.
- Long Throw Suspension** - Allows enormous linear stroke length.
- Interior Chamber Venting** - Forced-air flow behind spider cools Voice Coil.
- Integrated Trim Gasket** - Rubber gasket seals driver for front or rear mounting
- Rubber Magnet Boot** - Protects delicate brittle magnet.
- 3 Year Warranty** - If sold and installed by an Authorized Diamond Dealer.

## DIMENSIONS



MODEL	Dim "A"	Dim "B"	Dim "C"	Dim "D"
M3080 (8" SUB)	181mm (4.27")	197mm (7.75")	101mm (3.97")	<b>212mm (8.35")</b>
M3101 (10" SUB)	237mm (9.31")	245mm (9.64")	122mm (4.80")	<b>258mm (10.15")</b>
M3121 (12" SUB)	283mm (11.12")	294mm (11.57")	137mm (5.40")	<b>311mm (12.24")</b>
M3151 (15" SUB)	349mm (13.75")	370mm (14.56")	163mm (6.41")	<b>387mm (15.24")</b>

## THIELE - SMALL PARAMETERS (preliminary)

Impedance	M3080 (8")		M3101 (10")		M3121 (12")		M3151 (15")	
	4 W	2/8 W	4 W	2/8 W	4 W	2/8 W	4 W	2/8 W
Qes	0.44	TBA	0.45	TBA	0.43	TBA	0.45	TBA
Qms	6.3	TBA	9	TBA	6.3	TBA	6.5	TBA
Qts	0.41	TBA	0.43	TBA	0.41	TBA	0.42	TBA
Vas (L)	24.4	TBA	47.2	TBA	105	TBA	197	TBA
BL (T·M)	9.84	TBA	11.5	TBA	12.6	TBA	14.9	TBA
Sd (M²)	0.021	TBA	0.034	TBA	0.051	TBA	0.0832	TBA
Fs (Hz)	35	TBA	30	TBA	28	TBA	24	TBA
Xmax (mm)	8	TBA	9	TBA	8	TBA	7.5	TBA
SPL (dB)	86	TBA	87	TBA	89	TBA	90	TBA

## ENCLOSURES

Diamond M3 subwoofers have been developed primarily for use with small volume sealed enclosures. However, vented and bandpass type enclosures were also employed in the design process, and have been tested with good results and tables below show suggested parameters. However, since enclosure design is as important to sound quality as the speaker itself, it is recommended that your Authorized Diamond Dealer assist you in designing and building an enclosure to fit your needs. For more information on selecting the correct enclosure for your subwoofer, consult the "questions and comments" page of our website, [www.diamondaudio.com](http://www.diamondaudio.com)

M3080 (8")	Sealed Box	Vented Box
Power	125 W	125 W
V <sub>b</sub>	0.25 ft <sup>3</sup> (7.1 l)	TBA
F <sub>3</sub> (-3dB)	60 Hz	TBA
F <sub>10</sub> (-10dB)	35 Hz	TBA
Vent I.D.	n/a	TBA
Vent length	n/a	TBA

M3101 (10")	Sealed Box	Vented Box
Power	175 W	175 W
V <sub>b</sub>	0.5 ft <sup>3</sup> (14.16 l)	TBA
F <sub>3</sub> (-3dB)	51 Hz	TBA
F <sub>10</sub> (-10dB)	32 Hz	TBA
Vent I.D.	n/a	TBA
Vent length	n/a	TBA

M3121 (12")	Sealed Box	Vented Box
Power	200 W	200 W
V <sub>b</sub>	1.0 ft <sup>3</sup> (28.3 l)	2.0 ft <sup>3</sup> (56.6 l)
F <sub>3</sub> (-3dB)	49 Hz	32 Hz
F <sub>10</sub> (-10dB)	30 Hz	23 Hz
Vent I.D.	n/a	4" (102 mm)
Vent length	n/a	15" (381 mm)

M3151 (15")	Sealed Box	Vented Box
Power	250 W	250 W
V <sub>b</sub>	2.0 ft <sup>3</sup> (56.6 l)	2.5 ft <sup>3</sup> (70.8 l)
F <sub>3</sub> (-3dB)	40 Hz	35 Hz
F <sub>10</sub> (-10dB)	25 Hz	26 Hz
Vent I.D.	n/a	5" (127 mm)
Vent length	n/a	14" (356 mm)