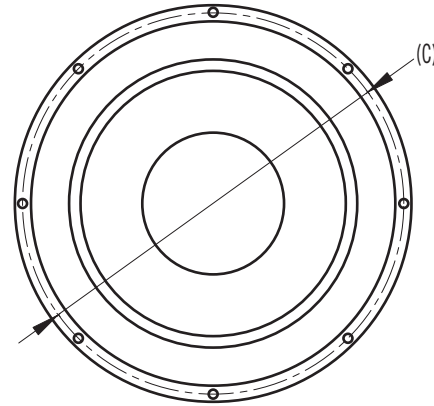
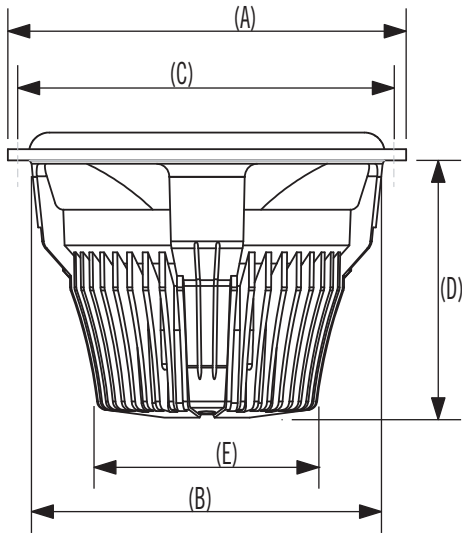


D9 BASS DRIVERS

Product Tech Sheet

PHYSICAL DIMENSIONS

Dimension (inches)	D910	D912	D915
Total Diameter (A)	10.7	12.4	15.6
Mounting Diameter (B)	9.4	11.1	14.2
Screw Hole Diameter (C)	9.98	11.7	14.8
Mounting Depth (D)	7.5	8	9.5
Magnet Diameter (E)	5.8	6.5	7.2
Displacement (ft ³)	0.11	0.15	0.22



THIELE/SMALL PARAMETERS

Parameter (unit)	D910D2	D910D4	D912D2	D912D4	D915D2	D915D4
SPL (dB)	84.5	84	86.5	86	88.5	88
Z (Ω) {series}	4	8	4	8	4	8
Re (Ω) {series}	3.85	6.5	3.85	6.3	3.85	6.2
Qms	3.2	3.1	3.5	3.3	3.8	3.7
Qes	0.60	0.62	0.6	0.61	0.52	0.53
Qts	0.51	0.53	0.51	0.52	0.49	0.49
Fs (Hz)	34	35	33	34	24	26
Vas (L)	15	17.5	22	24	85	75
Cms (mm/N)	0.091	0.095	0.066	0.07	0.095	0.1
Mms (g)	230	205	330	296	465	405
Sd (m ²)	0.033	0.033	0.049	0.049	0.079	0.079
BL (T*M)	18	22.4	21	25	22.3	29
Xmax (mm)	22	22	24	24	26	26
Power (W) NOM/MAX	600/1200	600/1200	800/1600	800/1600	1000/2000	1000/2000

ENCLOSURES

Sealed	D910 Opt	D910 Lg	D912 Opt	D912 Lg	D915 Spl	D915 Opt
Vb (ft ³)	0.6	1.25	1.0	2.0	1.65	2.0
F3 (Hz) / Qtc	51 / 0.705	52 / 0.592	47 / 0.689	48 / 0.59	44 / 0.747	44 / 0.703
Pe (W)	1000	600	1200	800	1500	1500
Vented	D910 All Around		D912 All Around		D915 All Around	
Vb (ft ³)	1.25		1.75		2.5	
Fb / F3 (Hz)	42 / 33		35 / 29		36 / 32	
Port/s (in.) {dia. x length}	4 x 16.25		4 x 16		(2) 4 x 25	
Pe (W)	800		1000		1500	