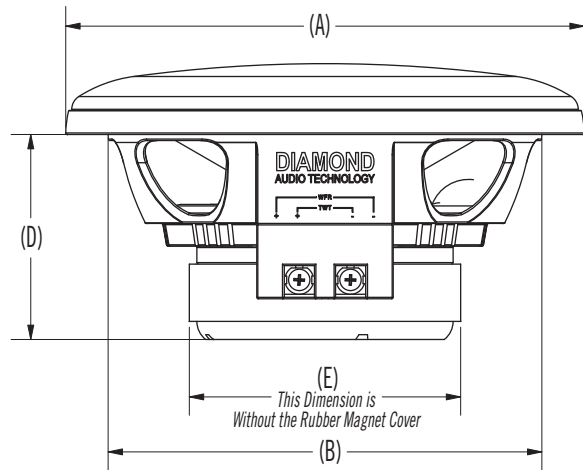
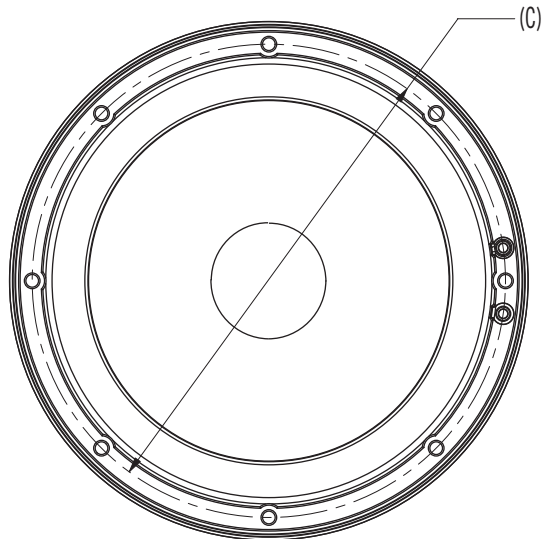


Product Tech Sheet

PHYSICAL DIMENSIONS

Model (inches)	D641/641i	D651/651i	D661/661i	DM61	S.0ta/s
Total Diameter (A)	5	5.9	6.8	6.8	2.3
Mounting Diameter (B)	4.1	5	5.8	5.8	2
Screw Hole Diameter (C)	4.4	5.3	6.2	6.2	n/a
Mounting Depth (D)	2.1	2.3	2.7	2.7	0.8
Magnet Diameter (E)	3.1	3.3	3.8	3.8	n/a



THIELE/SMALL PARAMETERS

Parameter (unit)	D641/641i	D651/651i	D661/661i	S.0ta	S.0ts
Sensitivity - 2.83V@1m (dB)	88.6	89.4	90.6	92	91
Qts	0.48	0.48	0.49	0.54	0.65
Fs (Hz)	70	60	51	1650	1520
Vas (L)	3.7	8.6	18.9	n/a	n/a
Re (ohm)	3.1	3.3	3.6	5.6	5.6
Xmax (mm)	2.7	4.8	6.2	n/a	n/a
Impedance (ohm)	4	4	4	8	8
Power (watts) NOM/MAX	60/120	80/160	100/200	50/100	50/100