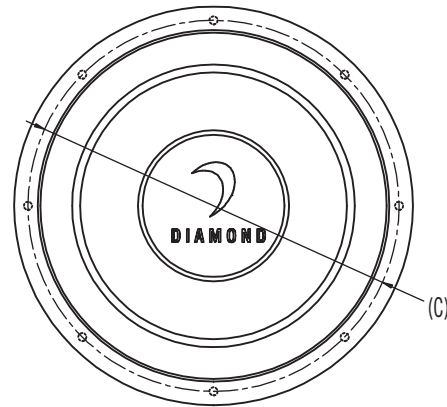
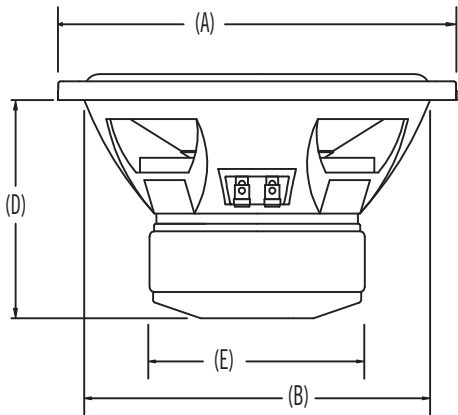


D6 BASS DRIVERS

Product Tech Sheet

PHYSICAL DIMENSIONS

Dimension (inches)	D610	D612	D615
Total Diameter (A)	10.3	12.4	15.4
Mounting Diameter (B)	9.2	11.1	13.9
Screw Hole Diameter (C)	9.6	11.7	14.6
Mounting Depth (D)	5.6	6.2	7.4
Magnet Diameter (E)	6.5	6.5	6.5
Displacement (ft ³)	0.08	0.1	0.13



THIELE/SMALL PARAMETERS

Parameter (unit)	D610D2	D610D4	D612D2	D612D4	D615D2	D615D4
SPL (dB)	84	84	85.5	85.5	87	87
Z (Ω) {series}	4	8	4	8	4	8
Re (Ω) {series}	3.9	6	3.9	6	3.7	6
Qms	5.75	3.97	5.24	4.6	6	4.52
Qes	0.55	0.56	0.56	0.57	0.57	0.58
Qts	0.51	0.49	0.51	0.51	0.52	0.51
Fs (Hz)	35.3	40	32.4	34	25.2	28
Vas (L)	8.9	12.3	12.6	33.1	88.5	74
Cms (mm/N)	0.064	0.088	0.07	0.098	0.097	0.081
Mms (g)	325	181	346	223	411	398
Sd (m ²)	0.032	0.032	0.049	0.049	0.08	0.08
BL (T*M)	22.3	24.9	22.1	24.2	20.6	27.2
Xmax (mm)	17.8	18.3	17.8	16.5	16	15
Power (W) NOM/MAX	500/1000	500/1000	600/1200	600/1200	750/1500	750/1500

ENCLOSURES

Sealed	D610	D612	D615
Vb (ft ³)	0.625	0.875	2.25
F3 (Hz) / Qtc	51 / 0.625	47 / 0.715	37 / 0.787
Pe (W)	800	800	800
Vented			
Vb (ft ³)	1.25	1.25	3.0
Fb / F3 (Hz)	38 / 31	40 / 34	30 / 27
Port/s (in.) {dia. x length}	(2) 2.5 x 16	4 x 20.5	4 x 11
Pe (W)	600	800	800