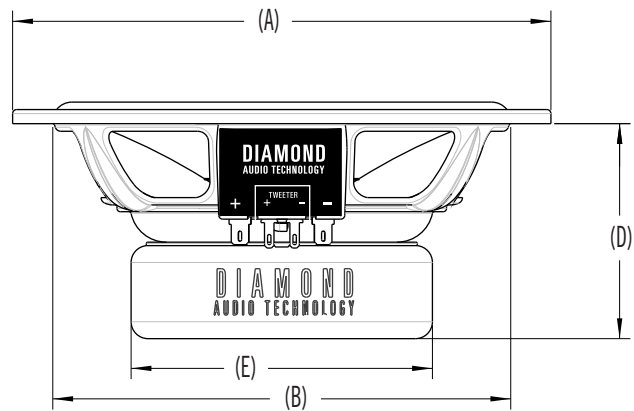
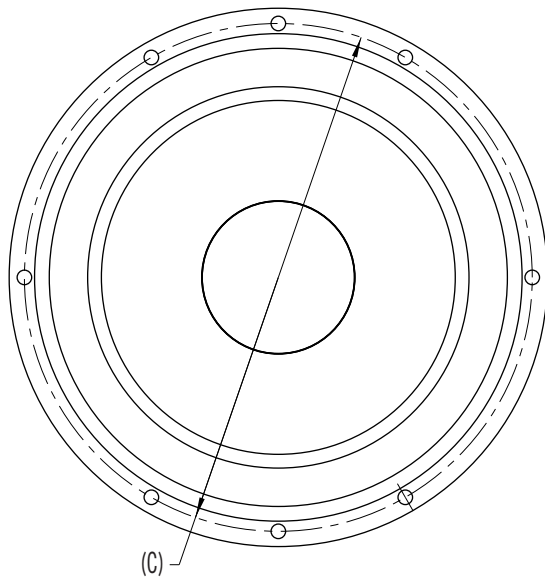


## Product Tech Sheet

### PHYSICAL DIMENSIONS

Dimension (inches)	D3.1t	D331i	D341/341i	D351/351i	D361/361i	D371i	D391i
Total Diameter (A)	1.73	3.5	4.3	5.6	6.25	5.6 x 8.7	6.5 x 9.2
Mounting Diameter (B)	1.62	3.23	3.93	4.68	5.35	4.92 x 7.08	4.92 x 8.43
Screw Hole Diameter (C)	n/a	4.16	4.63	5.24	5.9	4.29 x 4.56	4.7 x 6.58
Mounting Depth (D)	0.5	1.8	1.81	2.26	2.5	2.38	3.03
Magnet Diameter (E)	n/a	2.35	2.83	3.11	3.5	3.11	3.5



### THIELE/SMALL PARAMETERS

Parameter (unit)	D331i	D341/341i	D351/351i	D361/361i	D371i	D391i
Sensitivity - 2.83V@1m (dB)	88.0	89.5	90.5	91	91	91.5
Qts	0.66	0.60	0.51	0.46	0.54	0.65
Fs (Hz)	102	80	63	54	47	47
Vas (L)	1.4	3.7	8.3	12.9	23.5	31.7
Re (ohm)	3.4	3.2	3.5	3.2	3	3.2
Xmax (mm)	2	2.5	3.5	4	4	4
Impedance (ohm)	4	4	4	4	4	4
Power (watts) NOM/MAX	20/40	25/50	45/90	60/120	60/120	75/150