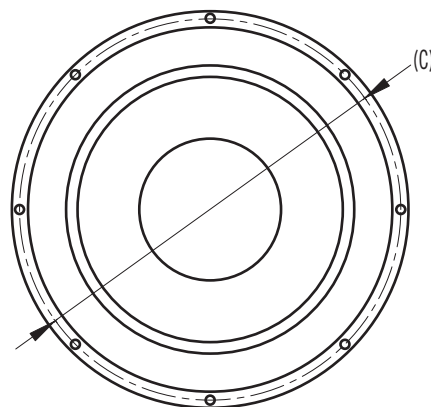
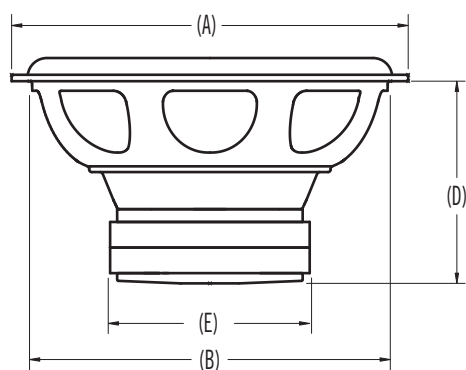


### PHYSICAL DIMENSIONS

Dimension (inches)	D308	D310	D312	D315	DS10	DS12
Total Diameter (A)	8.5	10.3	12.4	15.4	10.2	12.2
Mounting Diameter (B)	7.4	9.2	11.1	13.9	9.3	11.1
Screw Hole Diameter (C)	7.8	9.6	11.7	14.6	9.6	11.6
Mounting Depth (D)	4.1	5.6	6.2	7.4	4.8	5.4
Magnet Diameter (E)	5.8	6.5	6.5	6.5	5.5	6
Displacement (ft <sup>3</sup> )	0.0325	0.0596	0.0784	0.1281	0.05	0.07



### THIELE/SMALL PARAMETERS

Parameter (unit)	D308D2	D308D4	D310D2	D310D4	D312D2	D312D4	D315D2	D315D4	DS310D2	DS310D4	DS312D2	DS312D4
SPL (dB)	83	83	84	84	86	86	88	88	86.6	87	88.7	88.9
Z (Ω) {series}	4	8	4	8	4	8	4	8	4	8	4	8
Re (Ω) {series}	3.3	7.04	3.2	6.4	3.3	6.4	3.3	6.4	3.5	6	3.5	6
Qms	6	6	6.9	5.9	6.2	6.4	8	8	11.6	5.9	6.44	7.03
Qes	0.647	0.63	0.605	0.699	0.72	0.79	0.69	0.75	0.36	0.39	0.38	0.39
Qts	0.584	0.57	0.557	0.625	0.64	0.70	0.64	0.68	0.35	0.37	0.36	0.37
Fs (Hz)	46	49.03	40.39	41.8	38	40	30	30	33.2	32	30.3	30
Vas (L)	7.5	7.4	14	13.3	28.8	26.8	86.58	82.6	29.3	38.5	65.69	73
Cms (mm/N)	0.133	0.132	0.091	0.086	0.085	0.079	0.098	0.094	0.175	0.23	0.177	0.198
Mms (g)	80	80	170	168	213	200	288	300	130.6	108	155.4	142
Sd (m <sup>2</sup> )	0.02	0.02	0.033	0.033	0.049	0.049	0.079	0.079	0.034	0.034	0.051	0.51
BL (T*M)	11.5	16.6	15.1	20.1	15.2	20.3	16.1	22	16.1	18.2	16.5	20.3
Xmax (mm)	7.75	8.15	11	12	11	12	11	12	8.4	8.4	8.4	8.4
Pwr(W)NOM/MAX	200/400	200/400	400/800	400/800	400/800	400/800	500/1000	500/1000	200/400	200/400	250/500	250/500

### ENCLOSURES

Sealed	D308	D310	D312	D315	DS10	DS12
Vb (ft <sup>3</sup> )	0.5	0.75	1.5	2.25	0.75	1.0
F3 (Hz) / Qtc	62 / 0.7	54 / 0.7	44 / 0.793	38 / 0.939	61 / 0.656	68 / 0.615
Pe (W)	300	500	500	600	200	300
Vented						
Vb (ft <sup>3</sup> )	0.7	1.0	2.0	4.5	1.0	1.75
Fb / F3 (Hz)	43 / 36	45 / 37	41 / 32	34 / 28	45 / 42	39 / 37
Port/s (in.) {dia. x length}	2.5 x 9.5	3 x 8.25	4 x 8	(2) 4 x 10	3 x 9	3 x 5.5
Pe (W)	300	400	500	600	200	300