

CAUTION:

Prolonged exposure to sound pressure levels in excess of 100dB has been shown to contribute to permanent hearing loss and tinitis. Diamond's high performance speakers can exceed this level. Please exercise restraint in their operation.



DIAMOND™
AUDIO TECHNOLOGY

Head Office

3030 Pennsylvania Ave.
Santa Monica, CA 90404
Tel: 310.582.1121
Fax: 310.582.1502

Service Department

410 South Benson Lane
Chandler, AZ 85224

Tel: 480-813-6200
Fax: 480-813-6210

Service/Tech Support
Toll Free 1-866-328-2834

LIMITED WARRANTY STATEMENT

Diamond Audio Technology, Inc. (DAT) warrants all DAT products to be free of defects in material and workmanship for a period of one (1) year from the date of original purchase provided they are purchased from an authorized DAT retailer in the United States. However, the effective warranty period will be three (3) years if the products were purchased from and installed by an authorized DAT retailer.

What is covered: Parts and labor to effect repair or, at the sole discretion of DAT, replacement of either any malfunctioning or defective part(s) or the entire system should the system or any component part(s) thereof fail to perform as designed. Includes return freight via ground transportation to destinations within the United States.

What is NOT covered: Installation or setup and repair or replacement of the system or any parts thereof which, in DAT's judgment, fail or become damaged as a result of negligence, improper use, abuse, unauthorized modification or service, improper or inadequate packaging during shipment, installation by a non-authorized dealer, accident, or use for any purpose other than those for which this product was originally intended, or where the model's serial number has been removed, altered or defaced.

Who is covered: Original purchaser so long as they reside in the United States and can provide proof of the original date of purchase (e.g., store receipt) from an authorized DAT retailer.

OUTSIDE THE UNITED STATES: Customers outside the United States should contact their local sales office to obtain information on prices, exchange unit availability, instructions, service and warranty/non-warranty repairs.

Repair or replacement under this warranty is the exclusive remedy of the consumer. DAT shall not be liable for any incidental or consequential damages for breach of any expressed or implied warranty on this product. Except to the extent prohibited by applicable law, any implied warranty of merchantability or fitness for a particular purpose on this product is limited in duration to the duration of this warranty. Some states do not allow the exclusion or limitation of incidental or consequential damages, or allow limitations on how long an implied warranty lasts, so the above limitations or exclusions may not apply to you. This warranty gives you specific legal rights and you may also have other rights that may vary from state to state.

HOW TO OBTAIN WARRANTY SERVICE

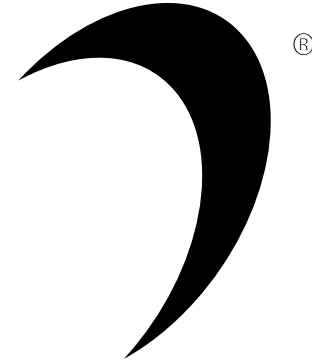
In the event a DAT product should require servicing, you should

- (a) visit an authorized DAT retailer or
- (b) call the DAT Service Dept. at 1-866-328-2834.

To be eligible for warranty service within a three (3) year period, the accompanying receipt of original purchase from an authorized DAT retailer must specifically note that dealer installation was provided.

A return authorization (RA) number must be obtained before any product can be returned to Diamond Audio. Product returned for repair/service must be properly packaged and clearly marked with the Return Authorization (RA) number issued by DAT. If the RA number is not clearly marked on the package or the packaging is not adequate to protect the contents, the product may be refused upon delivery. DAT does not assume responsibility for lost or misdirected product.

<http://www.diamondaudio.com>



DIAMOND
AUDIO TECHNOLOGY

CM3 SUBWOOFERS OWNER'S MANUAL

MODELS COVERED:

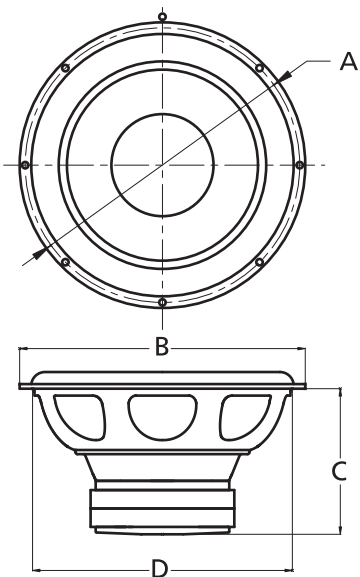
CM3 08D2 - CM3 08D4
CM3 10D2 - CM3 10D4
CM3 12D2 - CM3 12D4
CM3 15D2 - CM3 15D4

<http://www.diamondaudio.com>

FEATURES

Massive Double Stacked Magnet - high excursion, maximum efficiency
Cmax™ Optimized Spider and Edge allow long throw and controlled braking
Integrated Rubber Trim Gasket - seals driver for front or rear mounting
Symmetrically Balanced Suspension - controls high excursion yaw.
Radial Vented Basket - uses venturi effect to maximize cooling efficiency
3 Year Warranty - if sold and installed by an Authorized Diamond Dealer

DIMENSIONS AND VOLUME



IMPERIAL DIMENSIONS

DIMENSION	CM3 08	CM3 10	CM3 12	CM3 15
A (Bolt Circle dia.)	7.755"	9.645"	11.732"	14.566"
B (Outside dia.)	8.503"	10.314"	12.401"	15.354"
C (Height)	4.133"	5.629"	6.220"	7.401"
D (Thru Hole dia.)	7.401"	9.173"	11.102"	13.937"
Displacement (Ft ³)	0.0325	0.0596	0.0784	0.1281

METRIC DIMENSIONS

DIMENSION	CM3 08	CM3 10	CM3 12	CM3 15
A (Bolt Circle dia.)	197mm	245mm	298mm	370mm
B (Outside dia.)	216mm	262mm	315mm	390mm
C (Height)	105mm	143mm	158mm	188mm
D (Thru Hole dia.)	188mm	233mm	282mm	354mm
Displacement (L)	0.92 L	1.69 L	2.22 L	3.63 L

INSTALLATION

On the facing page you will find Thiele/Small data and suggested enclosure volumes for Diamond CM3 Subwoofers. The enclosures specified here are offered as a **suggestion only**. Since enclosure design is as important to sound quality as the speaker itself, it is recommended that your Authorized Diamond Retailer assist you in designing and building an enclosure to suit your vehicle.

For more information on selecting the best subwoofer enclosure, visit the FAQ page of our website, www.diamondaudio.com

Diamond's CM3 Series subwoofers are primarily designed for use with **small sealed enclosures**. Good results have also been achieved in vented and bandpass enclosures. **HIGH PASS ("SUBSONIC") FILTERS MUST BE USED WITH NON-SEALED APPLICATIONS TO PREVENT OVER-EXCURSION AT FREQUENCIES BELOW PORT TUNING.**

The enclosure volumes shown opposite are **NET INTERNAL VOLUMES**. Driver, vent and brace displacement must be taken into account when designing your enclosure.

Model	CM308D2	CM308D4	CM310D2	CM310D4	CM312D2	CM312D4	CM315D2	CM315D4
THIELE/SMALL PARAMETERS								
SPL	83	83	84	84	86	86	88	88
Qms	6	6	6.9	5.9	6.2	6.4	8.0	8.0
Qes	0.65	0.63	0.61	0.70	0.72	0.79	0.69	0.75
Qts	0.58	0.57	0.56	0.63	0.64	0.70	0.64	0.68
Fs (Hz)	46	49	40	42	38	40	30	30
Vas (L)	7.5	7.4	14.0	13.3	28.8	26.8	86.6	82.6
Cms	0.133	0.132	0.091	0.086	0.085	0.0792	0.0977	0.0938
Mms	80	80	170	168	213	200	288	300
Sd (m ²)	0.020	0.0200	0.0330	0.0330	0.0490	0.0490	0.0790	0.079
BL (T.M)	11.5	16.6	15.1	20.1	15.2	20.3	16.1	22.0
Re (Ω)	3.3	7.0	3.2	6.4	3.3	6.4	3.3	6.4
Xmax (mm)	7.75 (.305")	8.15 (.321")	11 (.433")	12 (.468")	11 (.433")	12 (.468")	11 (.433")	12 (.472")
Znom(Series) Ω	4	8	4	8	4	8	4	8
SEALED ENCLOSURE								
Vb (Net vol ft ³)	0.27~0.68	0.27~0.68	0.50~1.0	0.50~1.0	0.6~1.2	0.6~1.2	1.2~2.0	1.2~2.0
F3 (Hz)	65~58	65~58	58~52	58~52	55~46	55~46	47~40	47~40
Pe (Watts)	500~250	500~250	500~300	500~300	500~300	500~300	500~300	500~300
Qtc (@ max power)	0.9~1.2	0.9~1.2	0.9~1.2	0.9~1.2	0.9~1.2	0.9~1.2	1.0~1.2	1.0~1.2
VENTED ENCLOSURE								
Vb (Net vol ft ³)	0.4	0.4	0.75	0.75	1.5	1.5	4	4
F3 (Hz)	46	46	42	42	43	43	42	42
Fb (Tuning freq.)	49	49	41	41	38	38	38	38
Pe (Watts)	400	400	400	400	400	400	400	400
Ports	2	2	1	1	1	1	1	1
Port I.D.	2"	2"	3"	3"	4"	4"	6"	6"
Port Length	15"	15"	13"	13"	13"	13"	9"	9"