



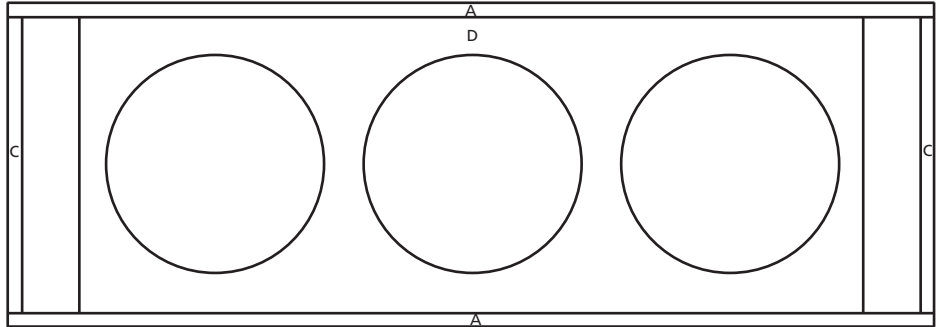
D9 TDX™ TECHNOLOGY

Tri 10" Vented Enclosure

Warning - The use of a 35 Hz subsonic filter is highly recommended for use with this enclosure.

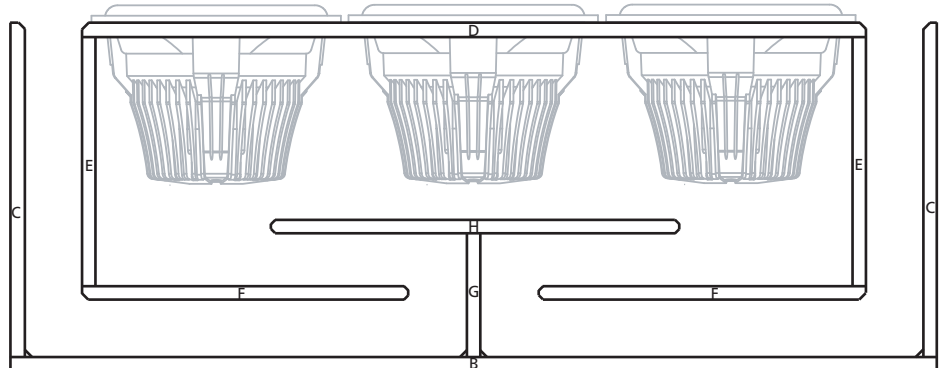
Cut List

- A: Top/Bottom - (2) 40 x 15
- B: Back - 50 x 12 1/2
- C: Side L/R - (2) 14 1/4 x 12 1/2
- D: Baffle - 33 1/2 x 12 1/2
- E: Vent Wall a - (2) 11 3/4 x 12 1/2
- F: Vent Wall b - (2) 13 7/8 x 12 1/2
- G: Vent Divide - 5 3/4 x 12 1/2
- H: Vent Wall c - 18 x 12 1/2



Vents

- (2) 2 1/2 x 12 1/2 x 40



Specs

- Fb - 46 Hz
- F3 - 37 Hz
- Pe - 3000 W

Notes

- All measurements are in inches.
- Use 3/4 in. MDF for construction.
- DAT recommends rounded corners (as shown in pictures) to help eliminate any port noise.
- Use a silicone or glue on all seams to seal the enclosure.

